

CASHMATIC.

**reshaping
the payment
process**

The company was founded in 2012 out of the need to solve issues related to the day-to-day management of money.

Fruit of the direct experience of two active entrepreneurs in the entertainment and services sector, Cashmatic offers retailers concrete and effective solutions for shortages, fake money, mistakes in general, safety and hygiene.

vision

We imagine a retail where the money no longer passes from hand to hand and the payment process is completely innovated, to solve the problems of owners, operators and customers.

mission

We want to automatize the cash point: from cash management to full self-payment. We want to meet the needs of every retailer with a range of simple and compact, reliable and safe, customizable solutions

why cashmatic

In the cashmatic range there is always a product that can meet the needs of all retailers and to those of the single cash points inside them.

Identifying the right device means to offer the customer a tailored and more advantageous offer, which translates into more operationally effective and greater economic efficiency.

**product
range**

product range

**a. cashmatic
selfpay**

**b. cashmatic
visual pay**



Selfpay family



360



660



1060

a.

Selfpay 360





Cashmatic Selfpay 360
It is the **most compact automatic cash register on the market**, able to guarantee easy installation on any workbench, without sacrificing efficiency, autonomy and control in cash flow management.

ADVANTAGES FOR THE CUSTOMER

The interface guides the customer through the payment through a large 7-inch display, resulting in a clear and simple man/machine interaction that speeds up the entire process.

ADVANTAGES FOR THE CUSTOMER RETAILER

The retailer can access a second level of the interface that allows him to manage the operations on the machine itself and to always have all the operations under control.



**Payment speed:
up to 3 payments/min**

Designed also for small retailers, it guarantees great autonomy of operation, a standard speed of insertion and delivery of cash and absolute control of operations, at the most attractive price.

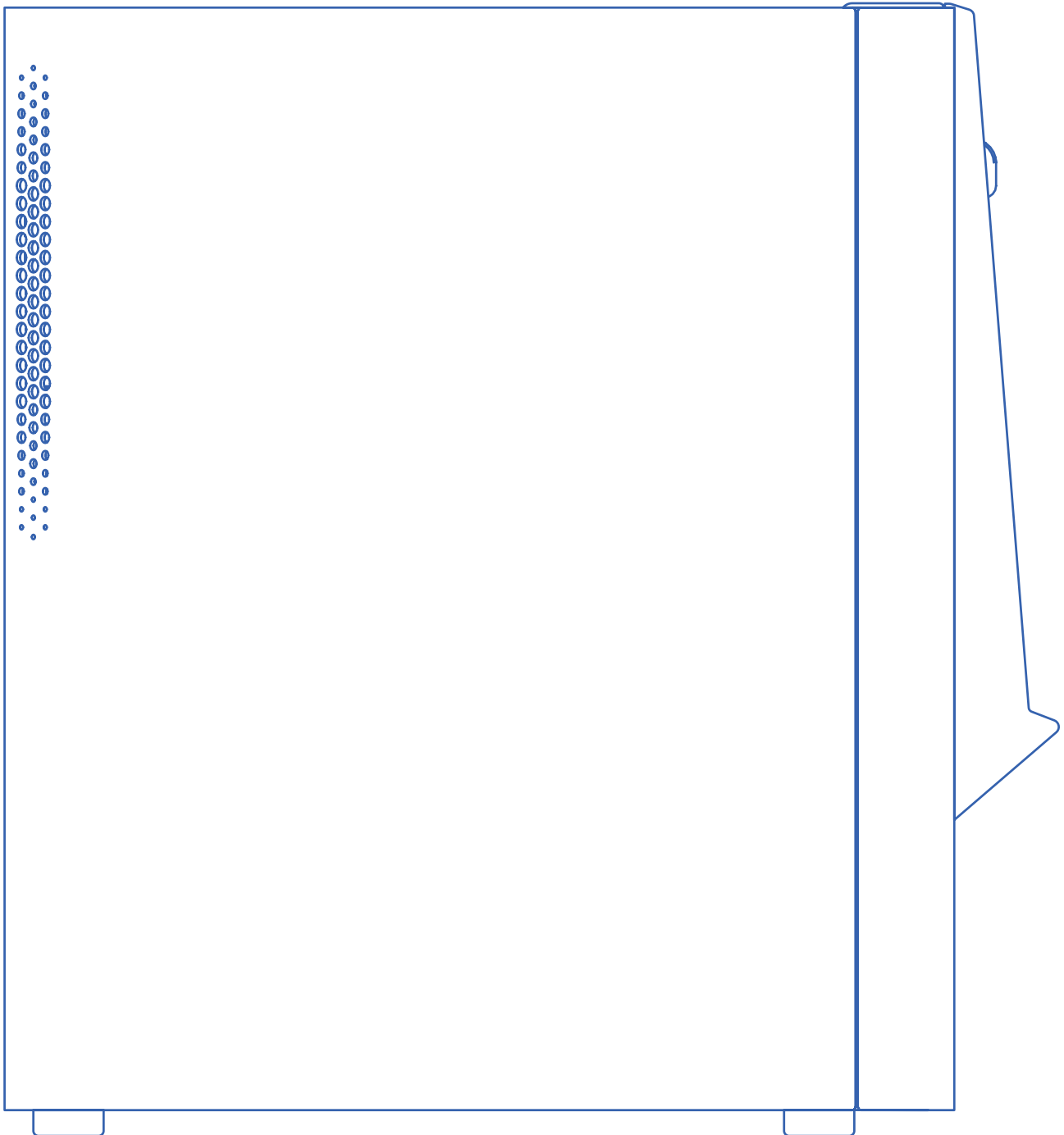
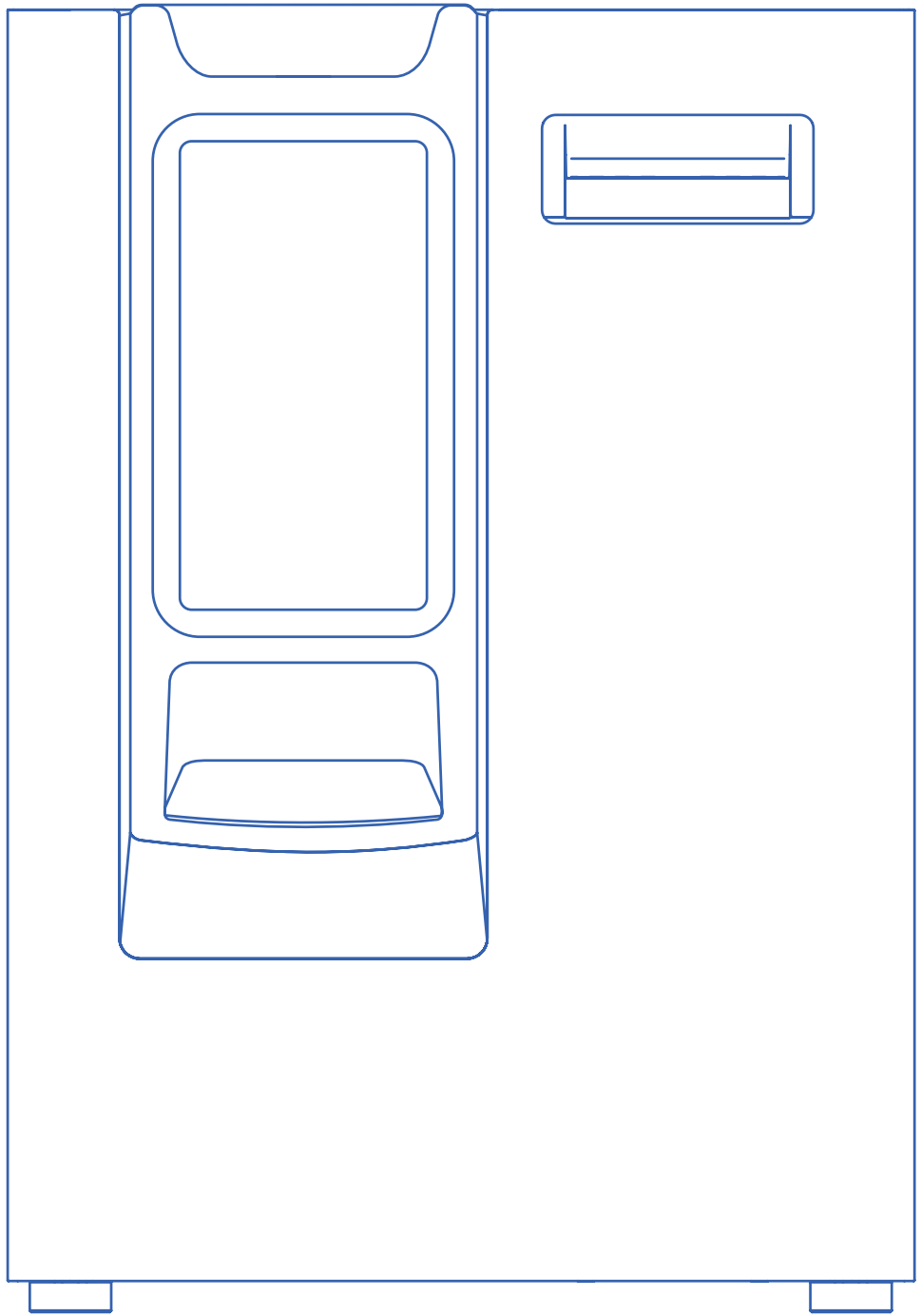
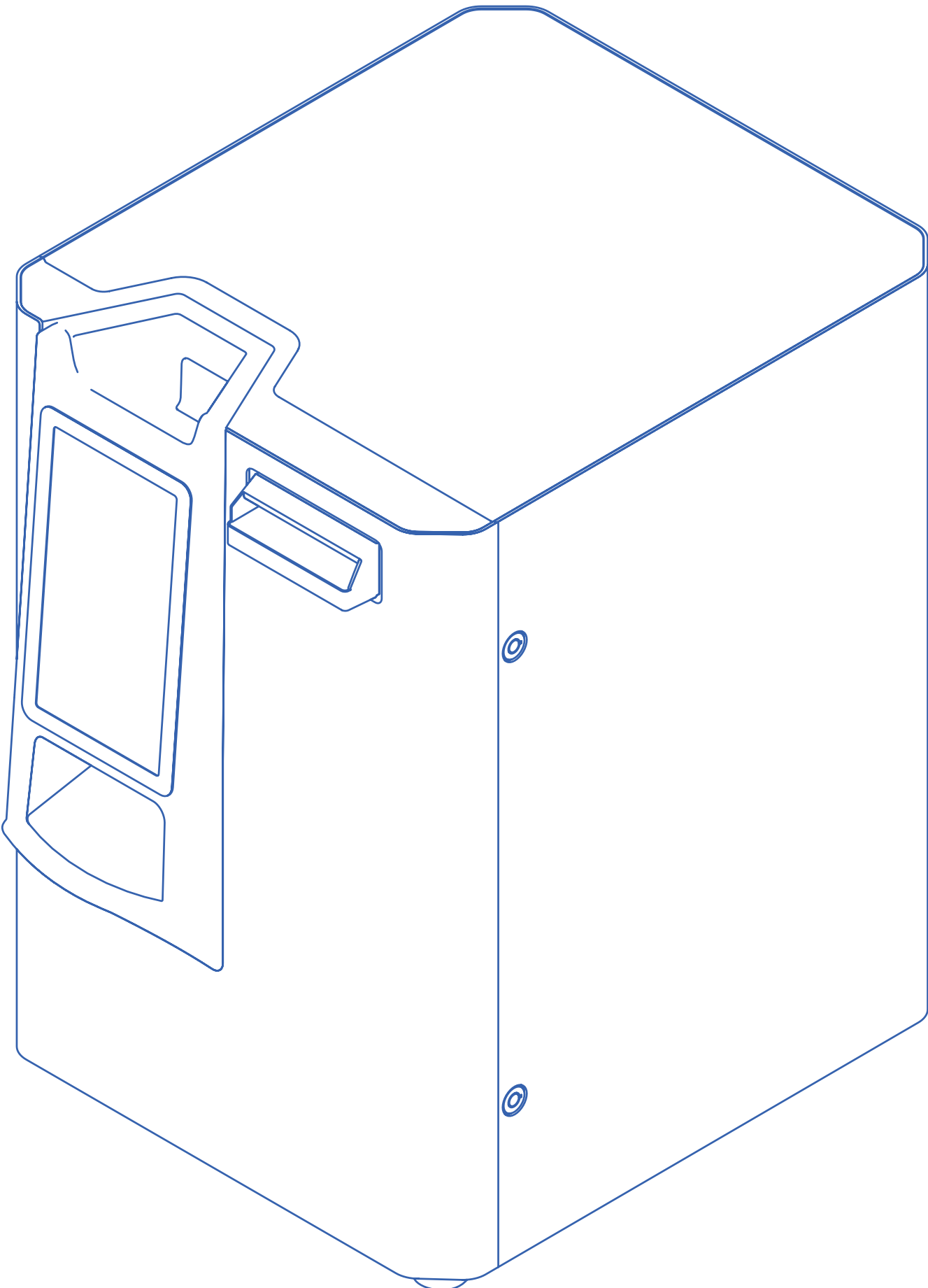
Functional features

- It meets the requirements of security, precision and functionality at the most advantageous price on the market.
- It can be easily installed on any workbench, thanks to its more compact dimensions.
- Eliminates operator errors and cash shortages.
- Automatically detects the presence of counterfeit money.
- Increases the level of security thanks to the solid and robust steel structure.
- Lowers the risk of robbery thanks to the non-openable drawer.
- Complies with European H.A.C.C.P. regulations, eliminating contact with money.

- Increases the hygiene of the service offered at the point of sale, eliminating contact with money.
- Optimises the management times of the cash point, eliminating the counting operations of opening and closing of cash and shift change.
- It can be controlled remotely, via smartphone, tablet or PC.
- Communicates with the user in a clear and intuitive way through the large integrated display.

For cafeterias, ice cream shops, bakeries, pharmacies, gyms, retail in general.

a. selfpay 360



Safety features

- 2mm thick steel frame.
- Notice of the presence of the device automatic Cashmatic.
- Bracket for anchorage to the bench.

- Drawer not openable by the operator.
- ECB-certified devices (European Central Bank) for the detection of counterfeit money.

height	48,4 cm
width	33,4 cm
depth	42,1 cm

a.

Selfpay 660



a. selfpay 660



Cashmatic Selfpay 660
It is the automatic cash register with a compact and versatile design, able to guarantee fast and reliable cash flow management and to adapt **to all traditional retailers.**

ADVANTAGES FOR THE CUSTOMER

Like the 360, it is equipped with a management panel that can also be accessed remotely in its web version, allowing you to control operations via PC, smartphone or tablet, wherever you are and at any time.

ADVANTAGES FOR THE RETAILER

You can not only constantly monitor the activities of the machine, but also manage and perform operations on board, such as reloading, withdrawing or exchanging money with a click.



**Payment speed:
up to 6 payments/min**

Reliable and compact, guarantees good performance in terms of flow management capacity, speed of insertion and disbursement of cash. This is why it is suitable for all types of traditional retailers.

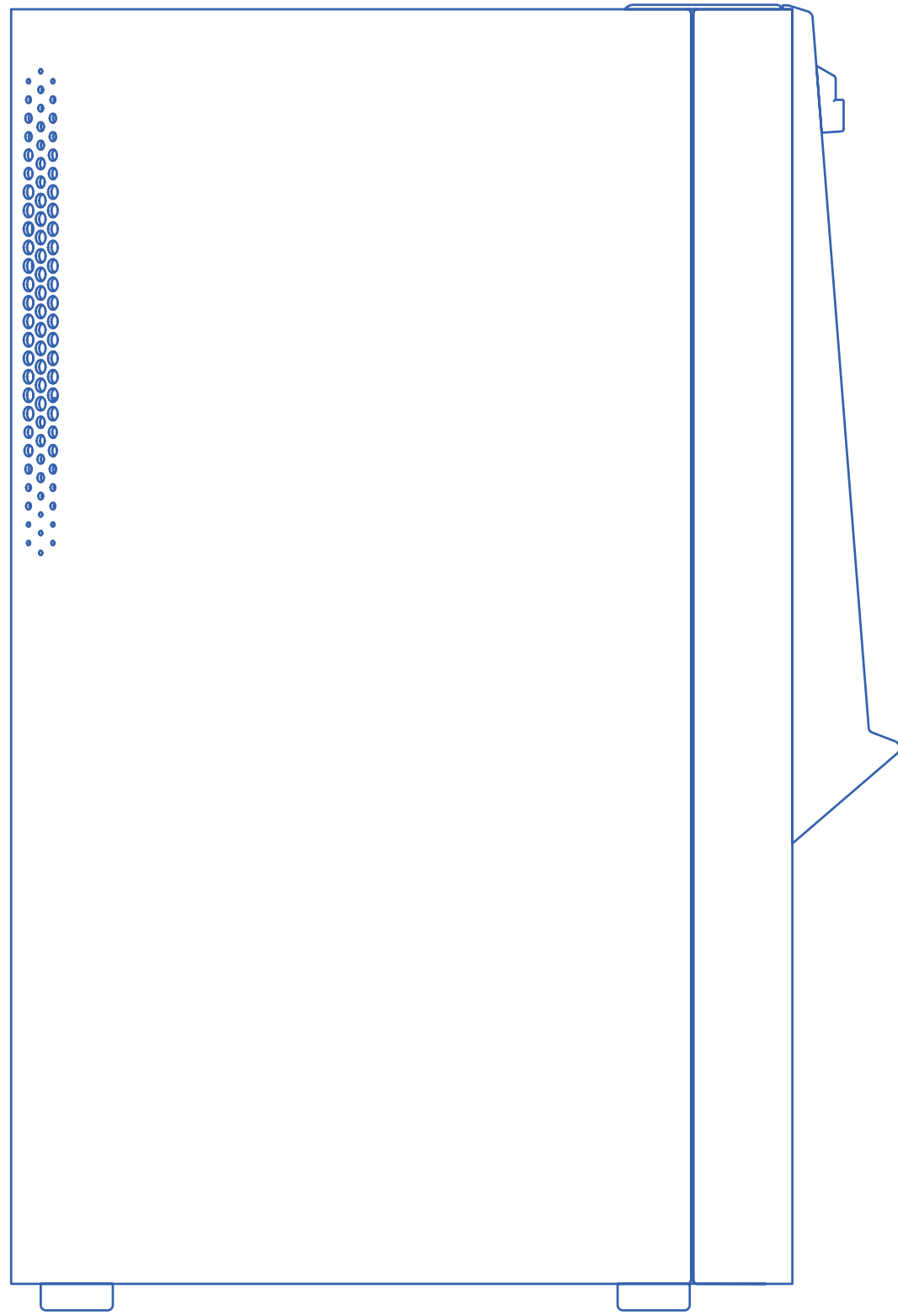
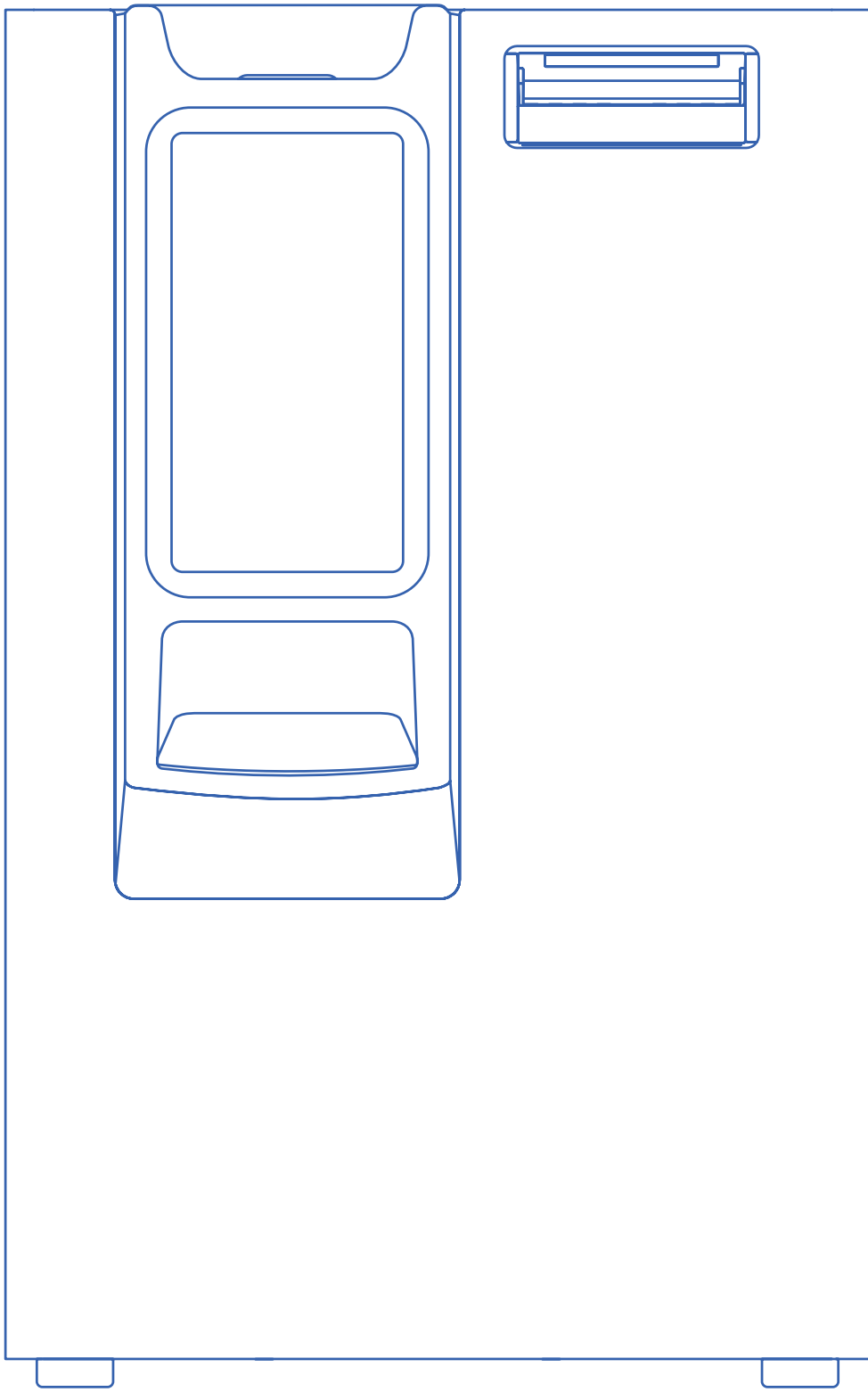
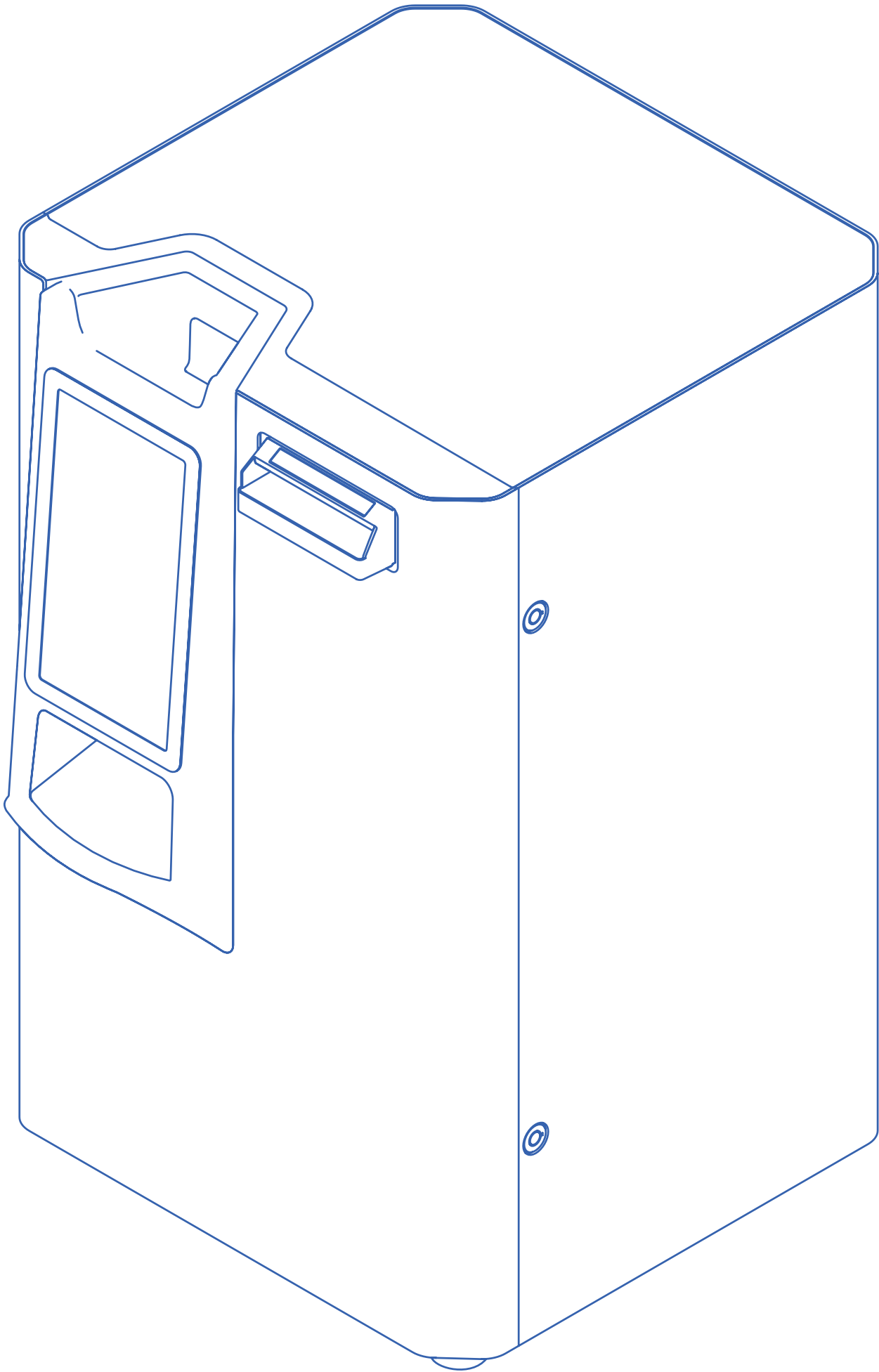
Functional features

- It can be installed on any workbench, thanks to its compact size and versatility.
- It eliminates any errors by the operator and cash shortages.
- Automatically detects the presence of counterfeit money.
- Increases the level of safety thanks to its solid and robust steel structure.
- Lowers the risk of robbery thanks to the non-openable drawer.
- Complies with European H.A.C.C.P. regulations, eliminating contact with money.

- Increases the hygiene of the service offered at the point of sale, eliminating contact with money.
- Optimises management times of the cash point, issuing the rest automatically and eliminating the counting operations of opening and closing of cash and shift change.
- It can be controlled remotely, via smartphone, tablet or PC.
- It communicates with the user in a clear and intuitive way through the large integrated display.

For cafeterias, ice cream shops, bakeries, pharmacies, pastry shops, retail in general.

a. selfpay 660



Safety features

- 2mm thick steel frame.
- Notice of the presence of the device automatic Cashmatic.
- Bracket for anchorage to the bench.

- Drawer not openable by the operator.
- ECB-certified devices (Bank European Central) for the detection of counterfeit money.

height	54,3 cm
width	34,0 cm
depth	36,8 cm

a.

Selfpay 1060



a. selfpay 1060



Cashmatic Selfpay 1060
It is the automatic checkout machine that makes Acceptance operations **faster and disbursement of money**, designed for retailers who need high performance to manage large cash flows.

Cashmatic Selfpay 1060 allows the management of a large number of cash payments and a fast automatic disbursement of the rest. It is the fastest, safest and easiest to use payment system.



**Payment speed:
up to 10 payments/min**

Efficient and reliable, it guarantees the highest performance in terms of flow management capacity, insertion speed and cash delivery. This is why it is suitable for the most demanding retailers.

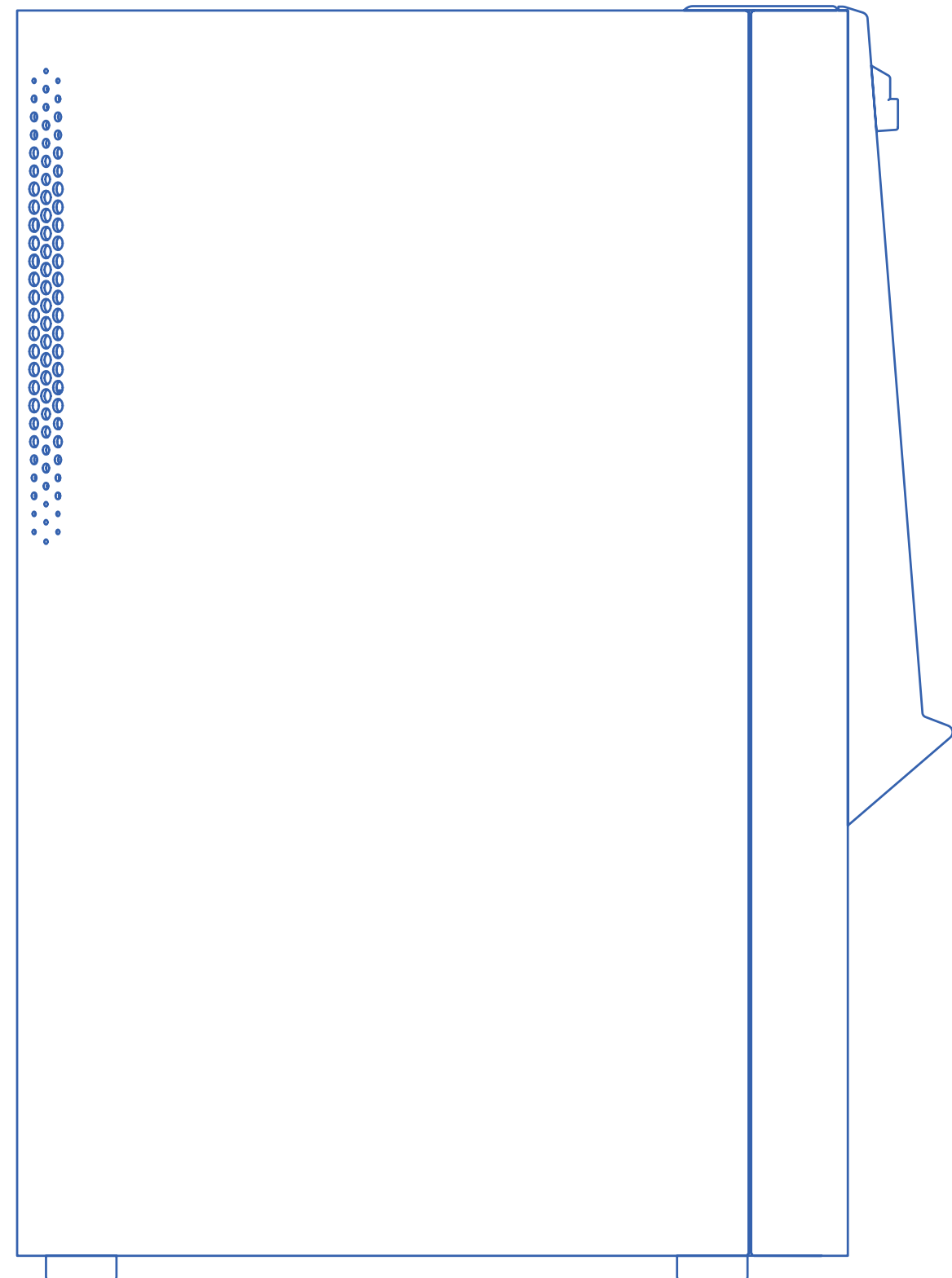
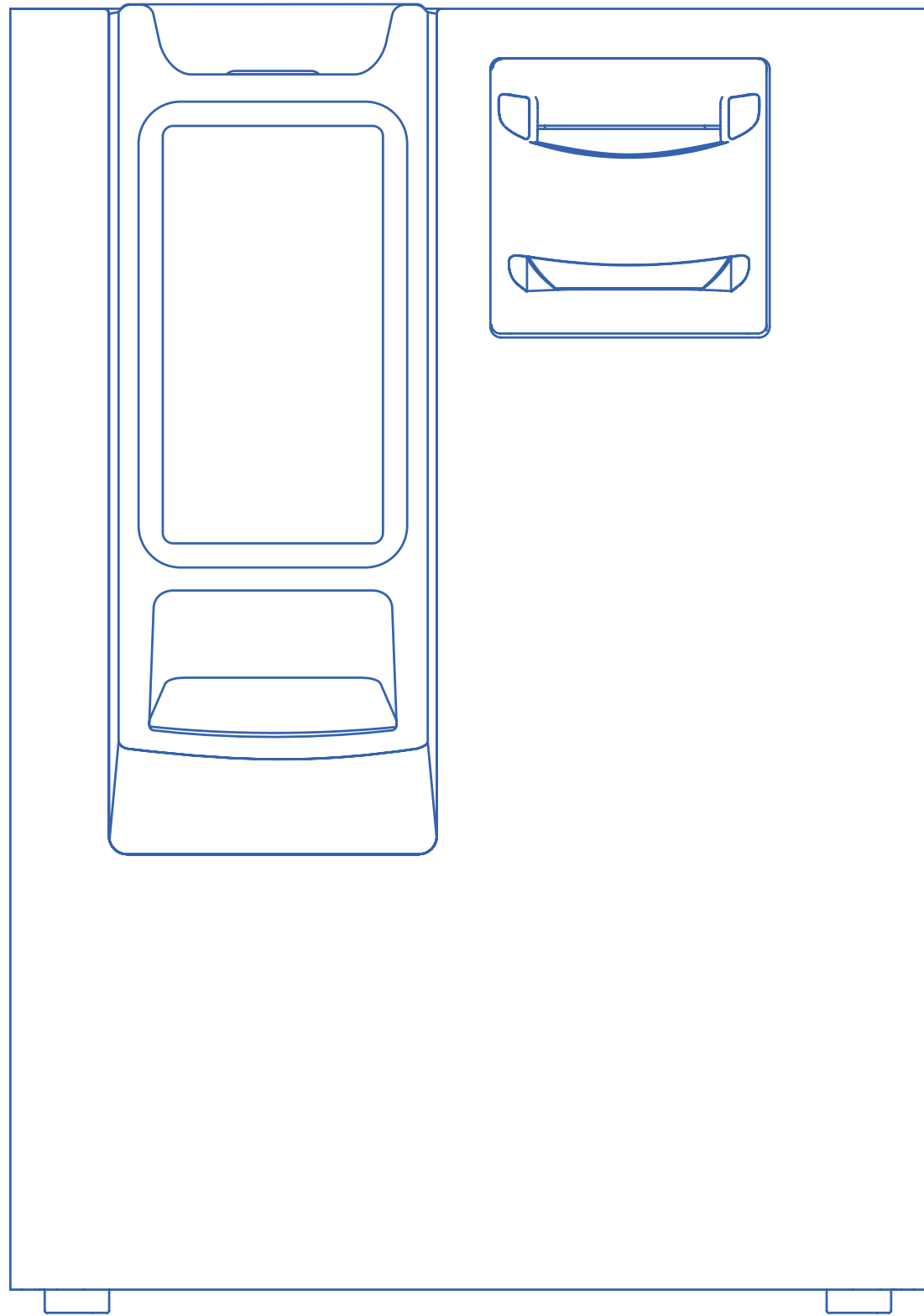
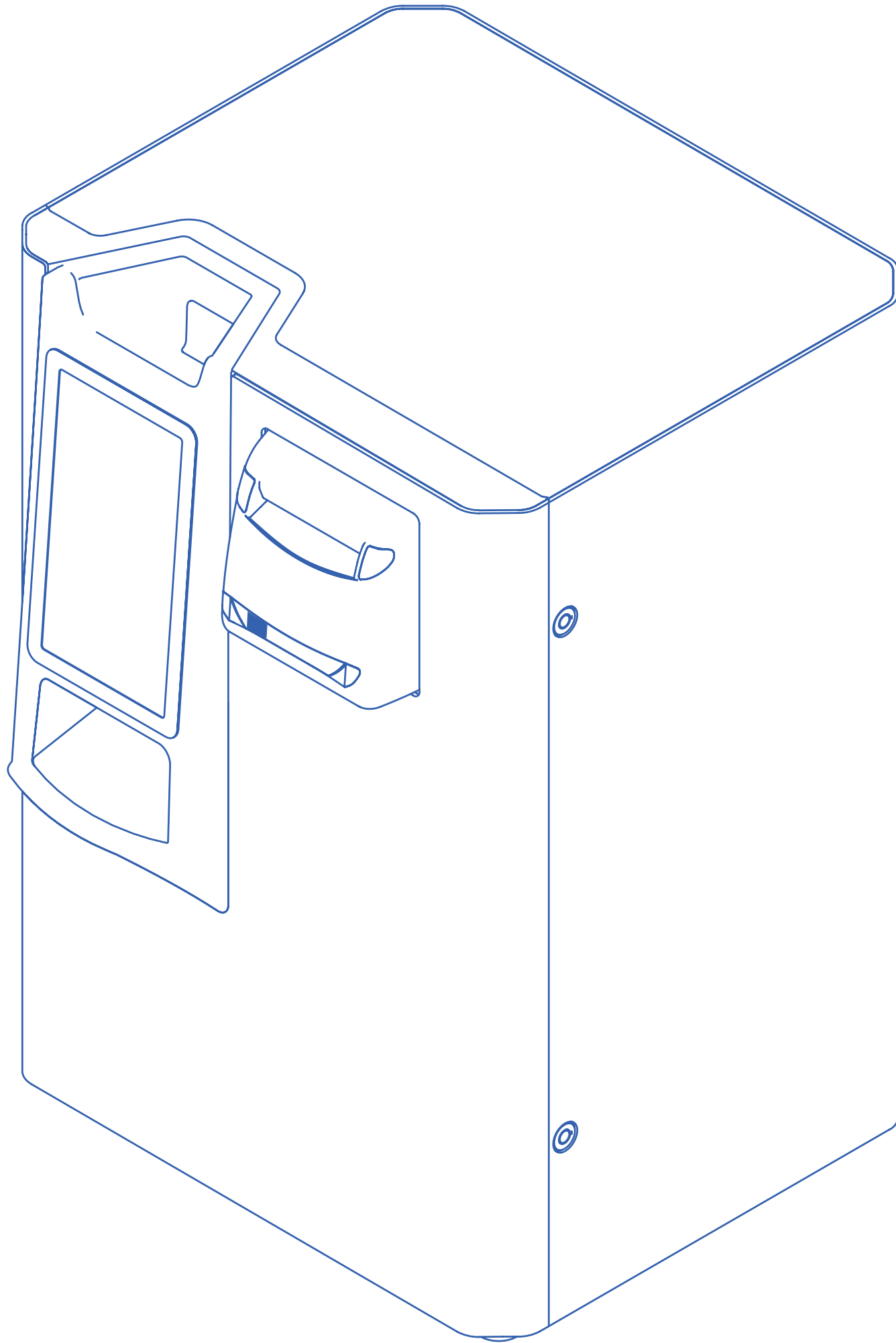
Caratteristiche funzionali

- Automates and speeds up collection and return operations.
- Guarantees maximum speed and efficiency in payment transactions.
- Can be easily integrated in the store, thanks to its more compact size.
- Eliminates any errors by the operator and cash shortages.
- Automatically detects the presence of counterfeit money.
- Increases the level of security thanks to the solid and robust steel structure.
- Lowers the risk of robbery thanks to the non-openable drawer.

- Complies with European H.A.C.C.P. regulations, eliminating contact with money.
- Increases the hygiene of the service offered at the point of sale, eliminating contact with money.
- Optimises the management times of the cash point, eliminating the counting operations of opening and closing of cash and shift change.
- It can be controlled remotely, via smartphone, tablet or PC.
- Communicates with the user in a clear and intuitive way through the large integrated display.

For GDO, take-away, self-service, market, pharmacies, tobacconists, bars, retail in general.

a. selfpay 1060



Safety features

- 2mm thick steel frame.
- Notice of the presence of the device automatic Cashmatic.
- Bracket for anchorage to the bench.

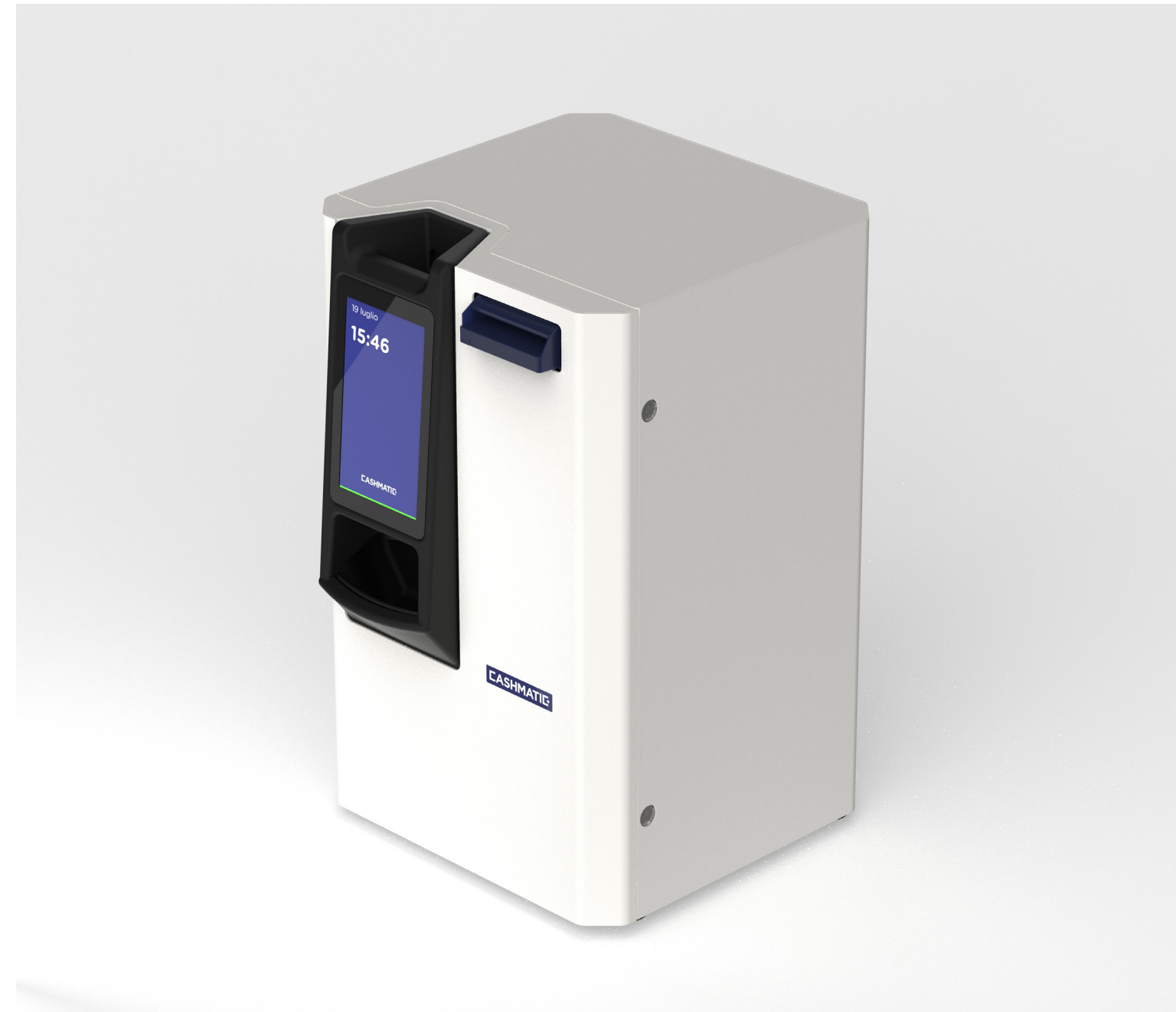
- Drawer not openable by the operator.
- ECB-certified devices (Bank European Central) for the detection of counterfeit money.

height	54,2 cm
width	39,6 cm
depth	39,8 cm



Cashmatic Selfpay 360

- **The most compact**
- Speed of payment:
up to 3 payments/min
- Flow management capacity:
up to 15 thousand euros
- Self-powered cash fund capacity:
70 banknotes / 1500 euro coins



Cashmatic Selfpay 660

- **The most versatile**
- Speed of payment:
up to 6 payments/min
- Flow management capacity:
up to 15 thousand euros
- Self-powered cash fund capacity:
110 banknotes / 1500 euro coins



Cashmatic Selfpay 1060

- **The fastest collection and restocking operations**
- Speed of payment:
up to 10 payments/min
- Flow management capacity:
up to 15 thousand euros
- Self-powered cash fund capacity:
180 banknotes / 1500 euro coins

a. cashmatic selfpay

panoramica

Cashmatic Selfpay 360

Day Transactions/Day Offers recommended up to a maximum of **150**

Banknote capacity
70 pcs (RECYCLE) 500 pcs (CASHBOX)

Banknotes Accepted
**5,00 10,00 20,00 50,00
100,00 200,00 500,00 €**

Dispensed Banknotes
**5,00 10,00 20,00 50,00 100,00
200,00 500,00 €**

Banknote Acceptance Mode
Single banknote

Banknote dispensing mode
Single banknote

Coins Accepted
**0,02 0,05 0,10 0,20 0,50
1,00 2,00 €**

Dispensed Coins
**0,02 0,05 0,10 0,20 0,50
1,00 2,00 €**

Acceptance mode Coins
"Fist" insertion

Cashmatic Selfpay 660

Day Transactions/Day Offers recommended up to a maximum of **300**

Banknote capacity
110 pcs (RECYCLE) 500 pcs (CASHBOX)

Banknotes Accepted
**5,00 10,00 20,00 50,00
100,00 200,00 500,00 €**

Dispensed Banknotes
5,00 10,00 20,00 €

Banknote Acceptance Mode
Single banknote

Banknote dispensing mode
Single banknote

Coins Accepted
**0,02 0,05 0,10 0,20 0,50
1,00 2,00 €**

Dispensed Coins
**0,02 0,05 0,10 0,20 0,50
1,00 2,00 €**

Acceptance mode Coins
"Fist" insertion

Cashmatic Selfpay 1060

Day Transactions/Day Offers recommended up to a maximum **> 300**

Banknote capacity
180 pcs (RECYCLE) 600 pcs (CASHBOX)

Banknotes Accepted
**5,00 10,00 20,00 50,00
100,00 200,00 500,00 €**

Dispensed Banknotes
5,00 10,00 20,00 50,00 €

Banknote Acceptance Mode
Single banknote

Banknote dispensing mode
In bribe

Coins Accepted
**0,02 0,05 0,10 0,20 0,50
1,00 2,00 €**

Dispensed Coins
**0,02 0,05 0,10 0,20 0,50
1,00 2,00 €**

Acceptance mode Coins
"Fist" insertion

a. cashmatic selfpay

Selling points

Cash shortages

The Automatic Cash Register change dispenser automates the payment process giving certainty of collection avoiding possible shortages

Hygiene

Payment made directly by the Customer - Allows the merchant not to touch the money in the exercise of his activity

Money validation

No more fake money collection - Accepted banknotes and coins are all validated on acceptance

Secureness - Fixing brackets

The automatic cash register can be anchored to the counter by using dedicated steel plates

Detergent - Glass Decals

The accompanying glass panel indicates the presence of an automatic cash register in use and acts as an additional deterrent to burglary

Simple cash closure

The daily cash closure process is simple, immediate and precise. Immediate collection reporting

Shift change

All the operators at the counter can manage the receipts. It is no longer necessary to align the cashier at the shift change

Fiscal and Courtesy

Allows the collection of tax and courtesy transactions

Uninterruptible power supply UPS

We supply the Cash Register with the rest of the UPS to ensure the closing of the collection transaction in the event of energy shortage

Universal Driver

We are able to interface and integrate with all the hardware and software systems in your business

Industry 4.0 Certification

Access to substantial tax relief thanks to Industry 4.0 certification

a.

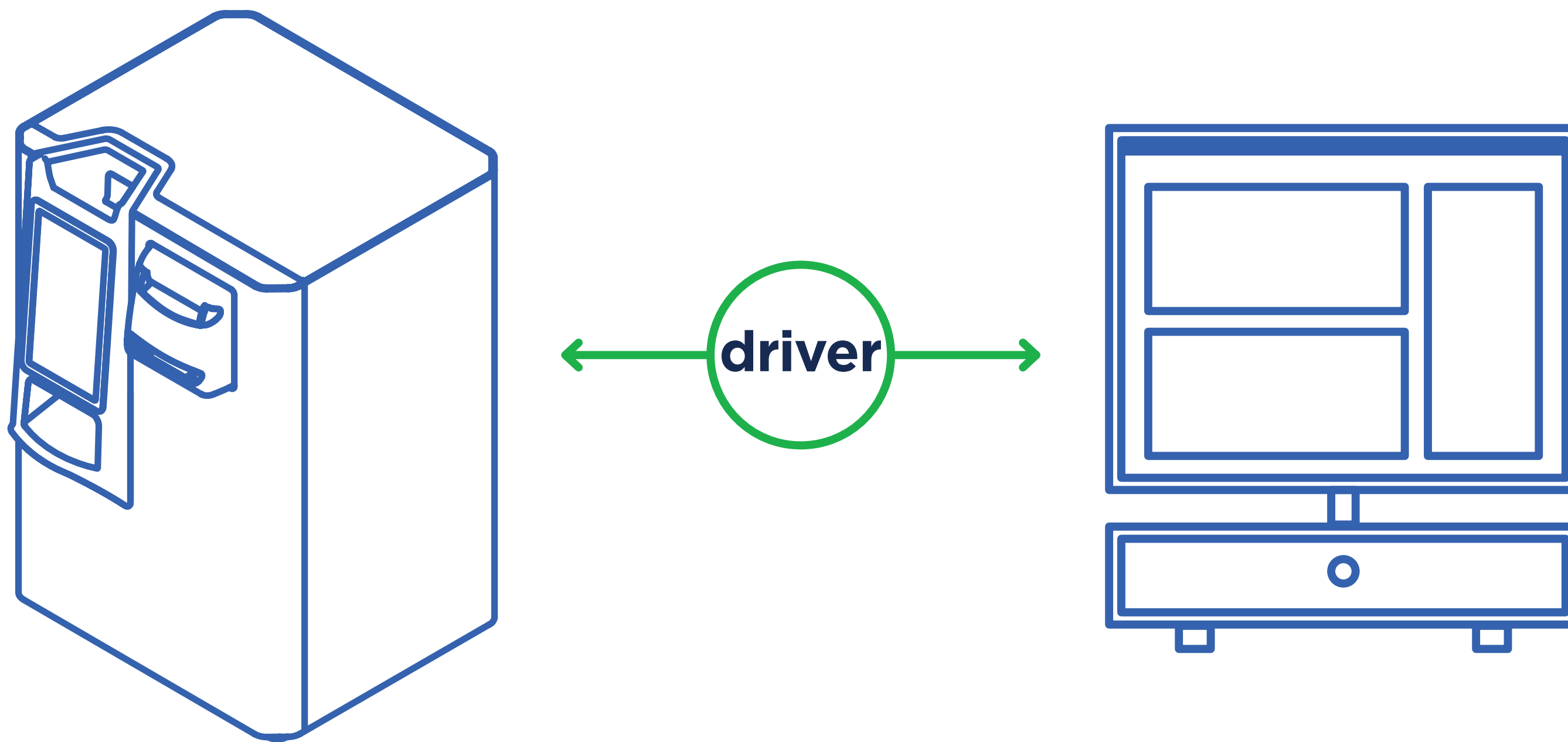
**cashmatic
universal
driver**

Features

- most recent patent signed Cashmatic
- interfacing with cash management software

Functions

- connects and interacts with the video screen of the cash management software
- guarantees an immediate connection between drawer and automatic drawer and the management software cash
- interprets the total amount of the sale
- pauses the receipt printing
- verifies that payment has been made and reactivates the issue of the receipt in complete autonomy



bo

cashmatic
self evolution

cashmatic
self evolution pro

cashmatic
self evolution
smart pos

**famiglia
visual
pay**

b. cashmatic visualpay



Self Evolution

(contanti con possibilità di gestione pos su braccetto esterno)



Self Evolution

Smart Pos

(pagamento elettronico)



Self Evolution Pro

(gestione completa contanti ed elettronico integrato)

advantages

The devices of the self cashmatic line replace the operator at the checkout, allowing:

- the customer to place the order, pay and pick up the receipt independently, saving time
- to the retailer to handle orders of customers by sending the order directly to the departments, saving time and money
- interaction with the most popular management software
- the customization according to the different management software, according to the needs of the point of sale.

**Thank you
for your
attention**

contacts

cashmatic

**www.cashmatic.it
info@cashmatic.it**

tel: **+ 39 0541 17.96.791**

fax: **+ 39 0541 17.94.301**

Strada Cardio, 58
47899

Serravalle

Rep. di San Marino

CASHMATIC.

reshaping
the payment
process